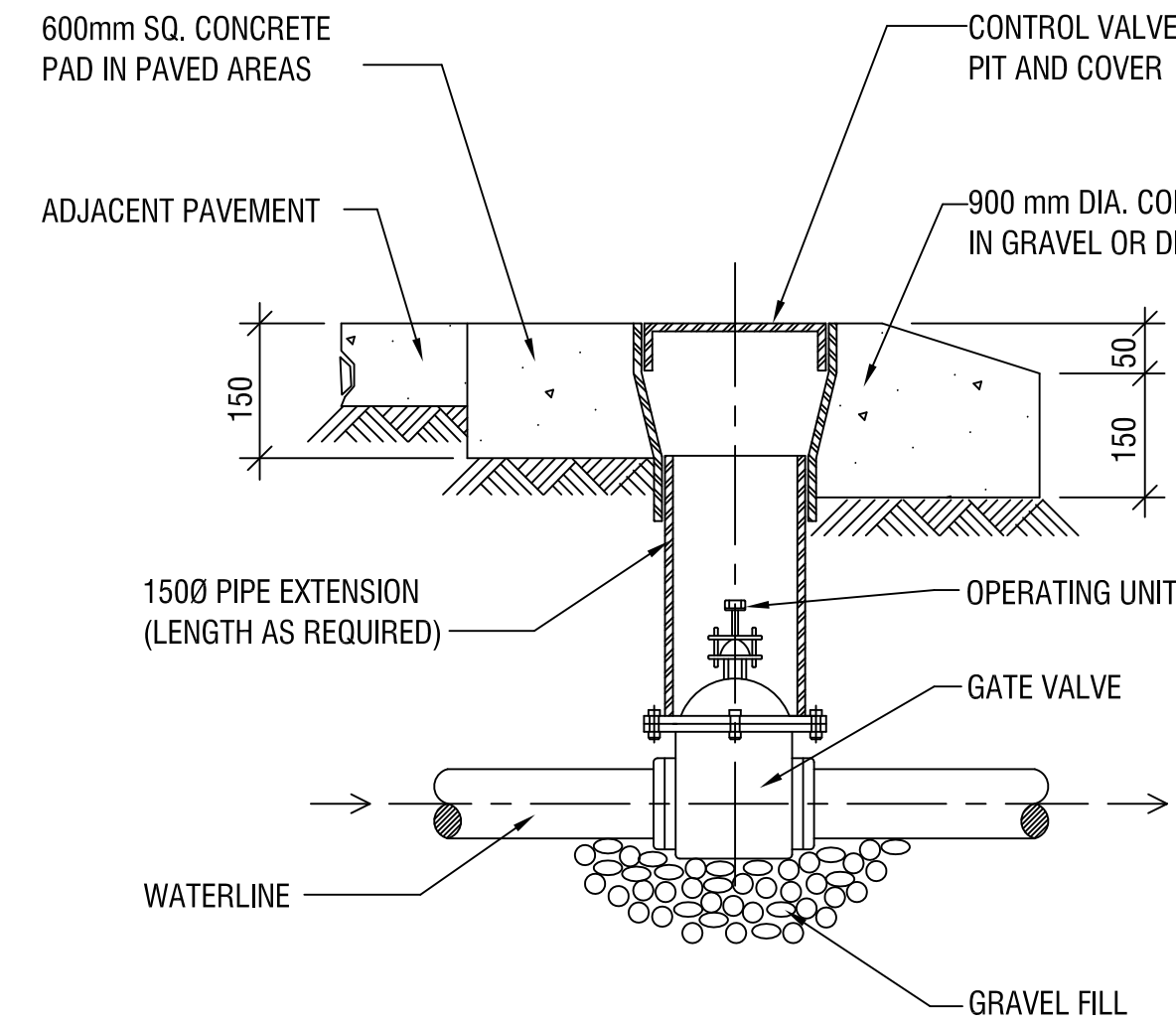
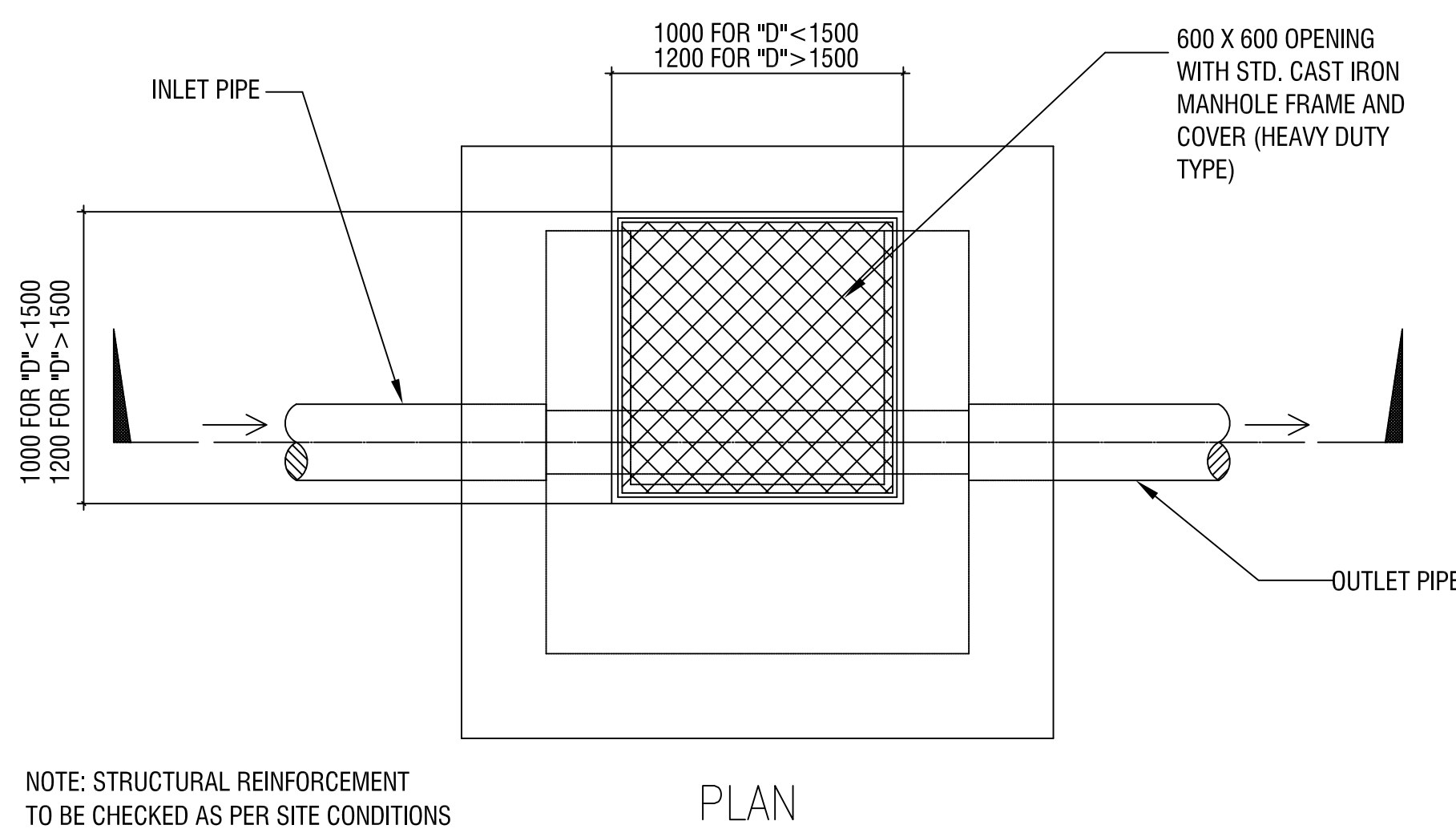
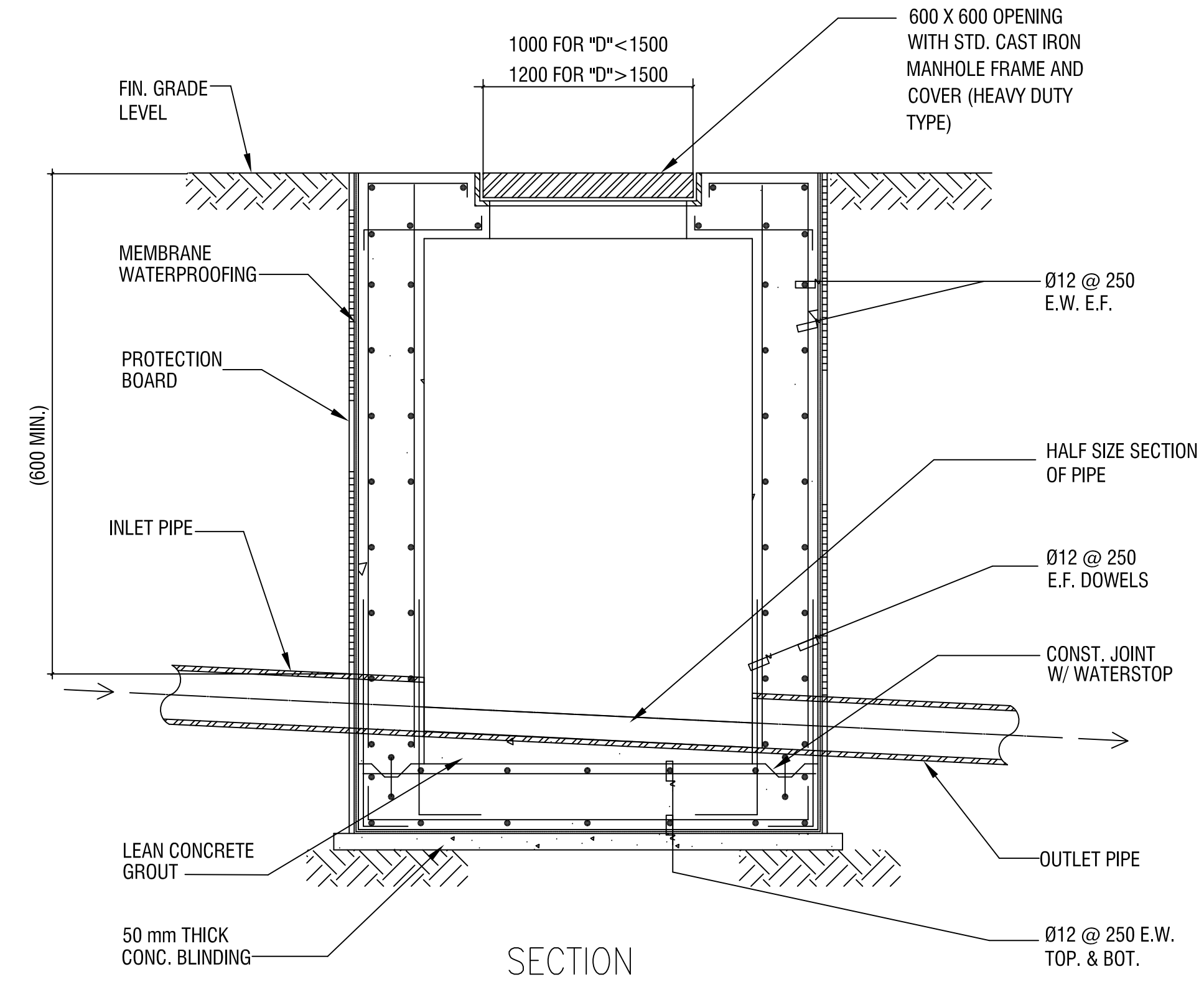


1 FLOOR CLEANOUT DETAIL
G-P002 N.T.S.

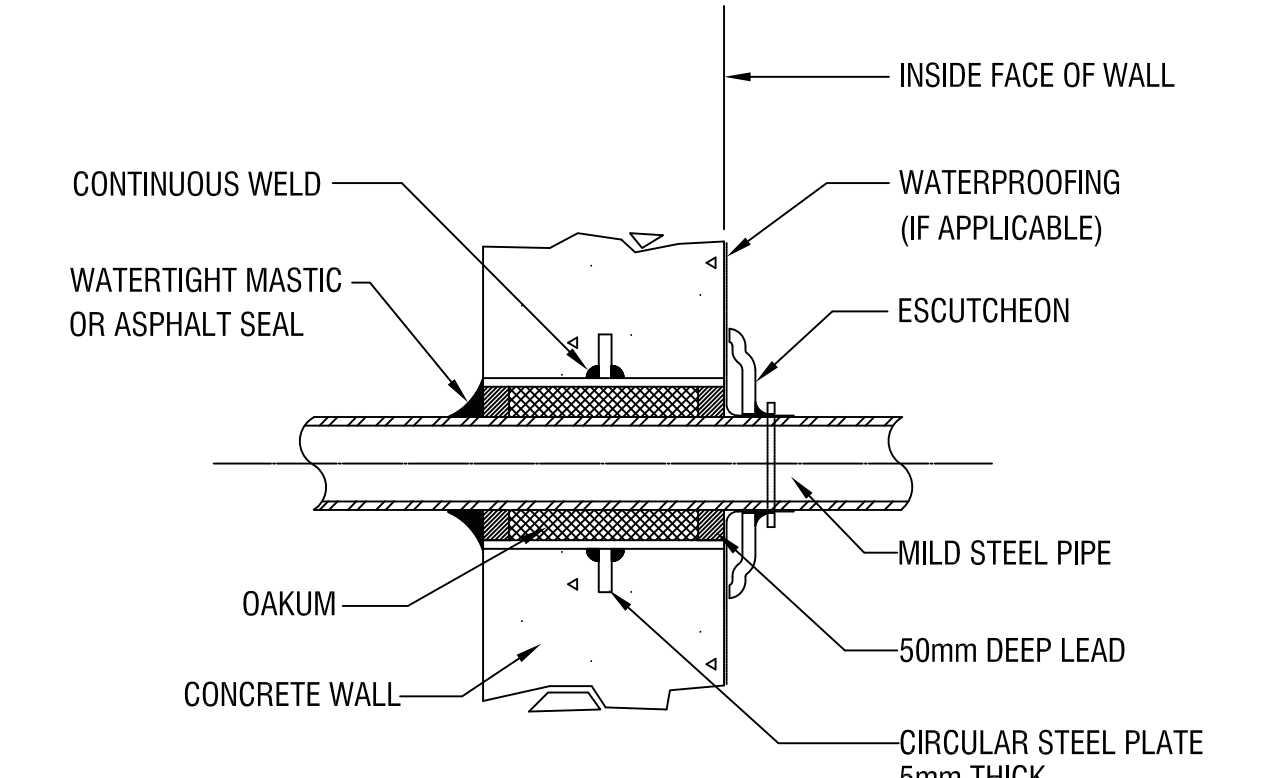


5 GATE/ISOLATION VALVE DETAIL
G-P002 N.T.S.

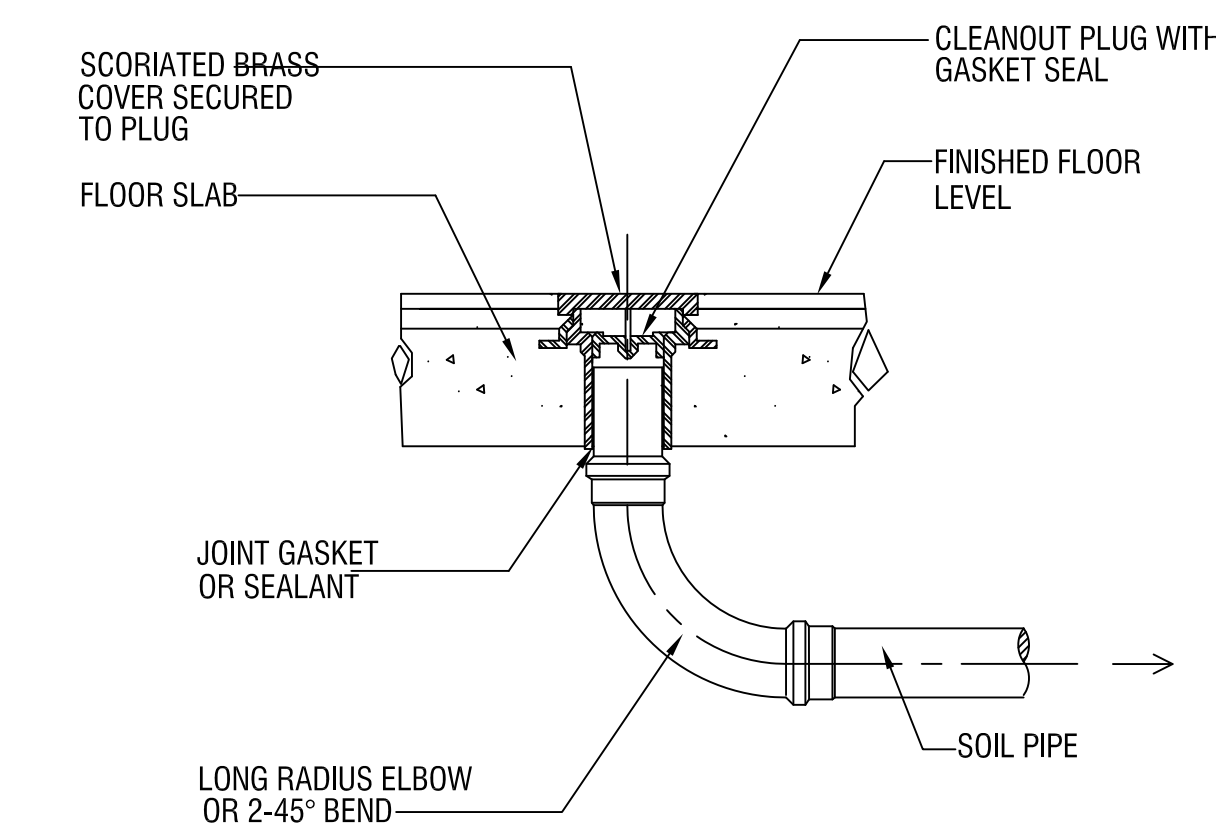


NOTE: STRUCTURAL REINFORCEMENT TO BE CHECKED AS PER SITE CONDITIONS

9 SERVICE MANHOLE DETAIL
G-P002 N.T.S.

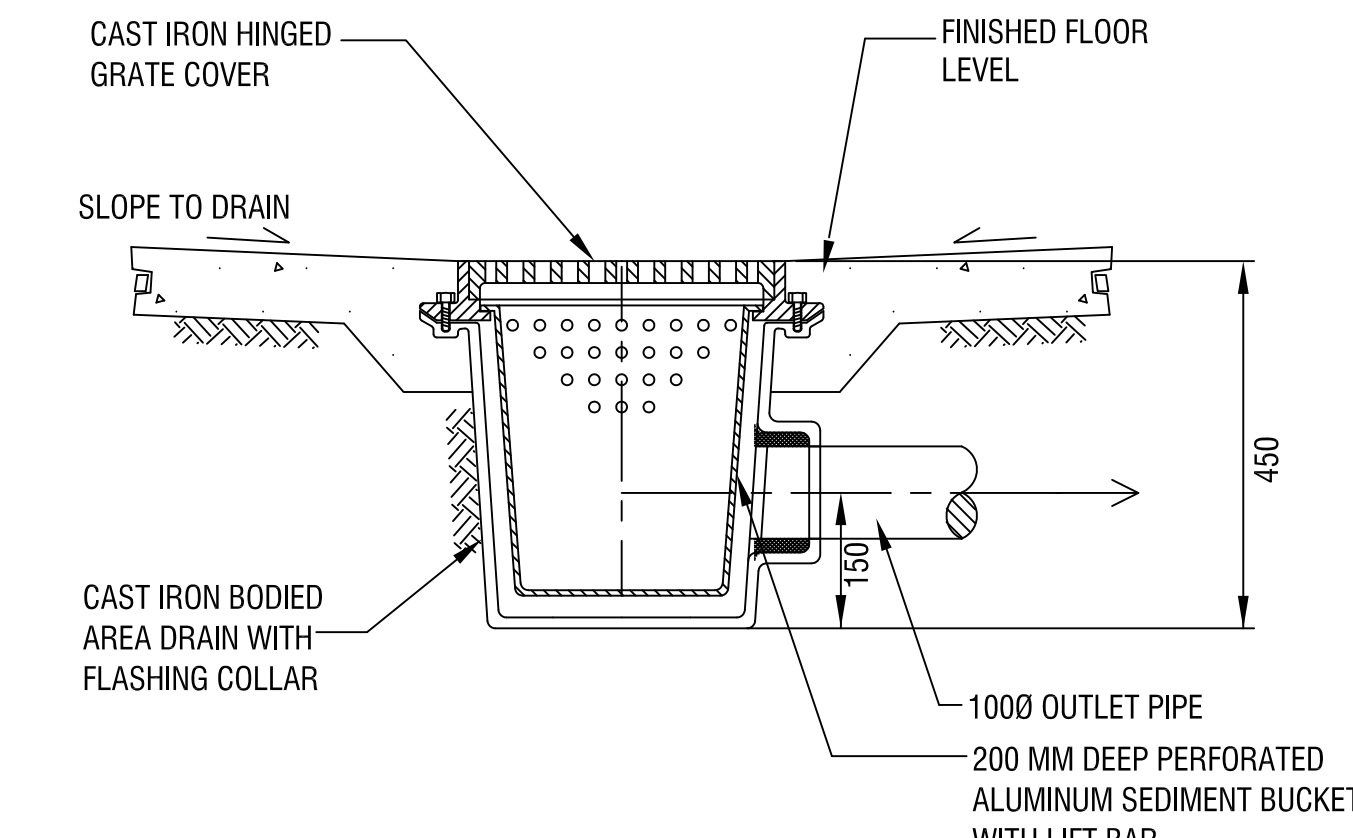


11 WATER RESISTANT PIPE SLEEVE FOR FIRE WALLS
G-P002 N.T.S.

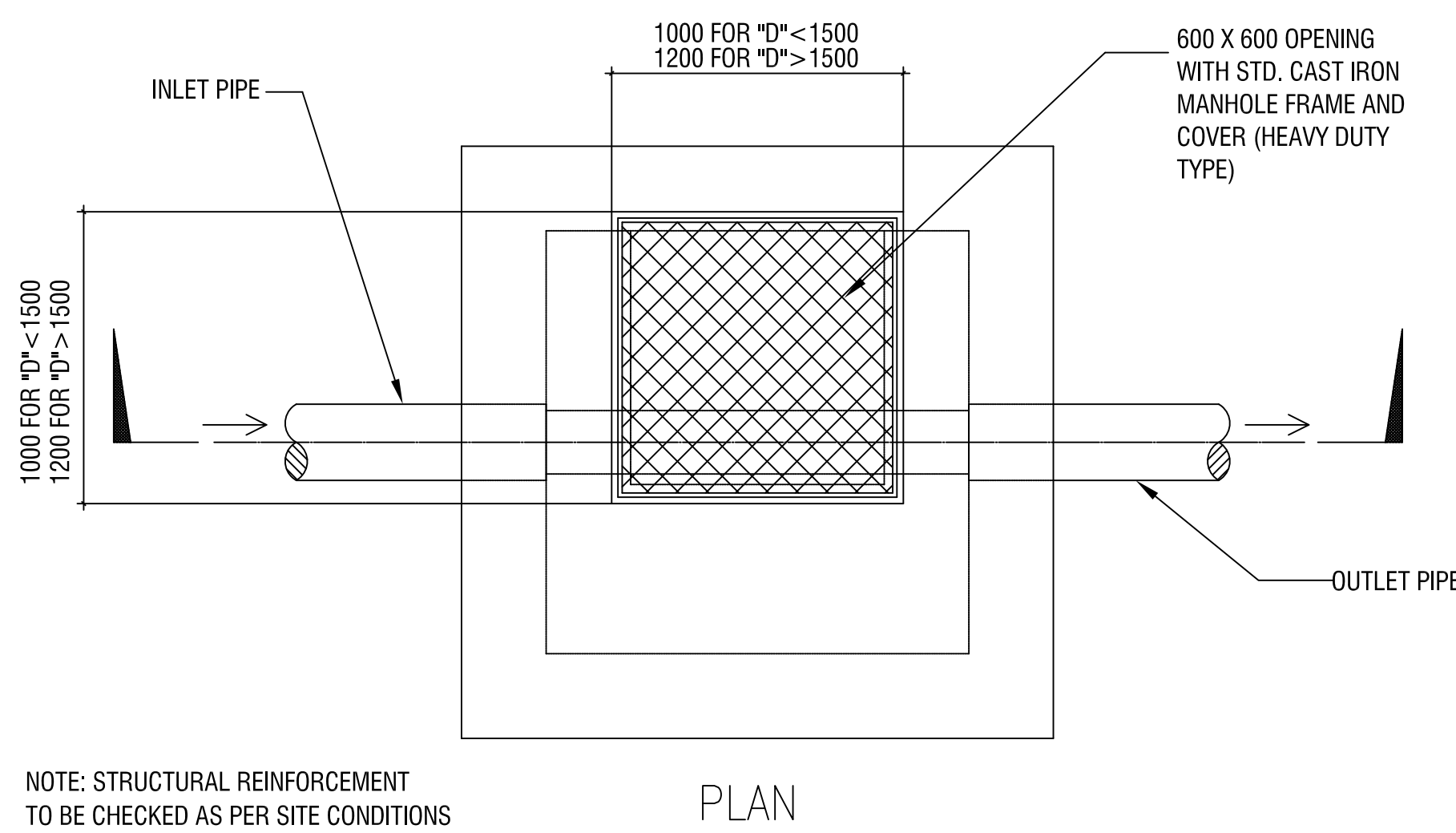


**FLOOR CLEANOUT DETAIL
END OF PIPE LINE**

2 FLOOR CLEANOUT DETAIL
G-P002 N.T.S.

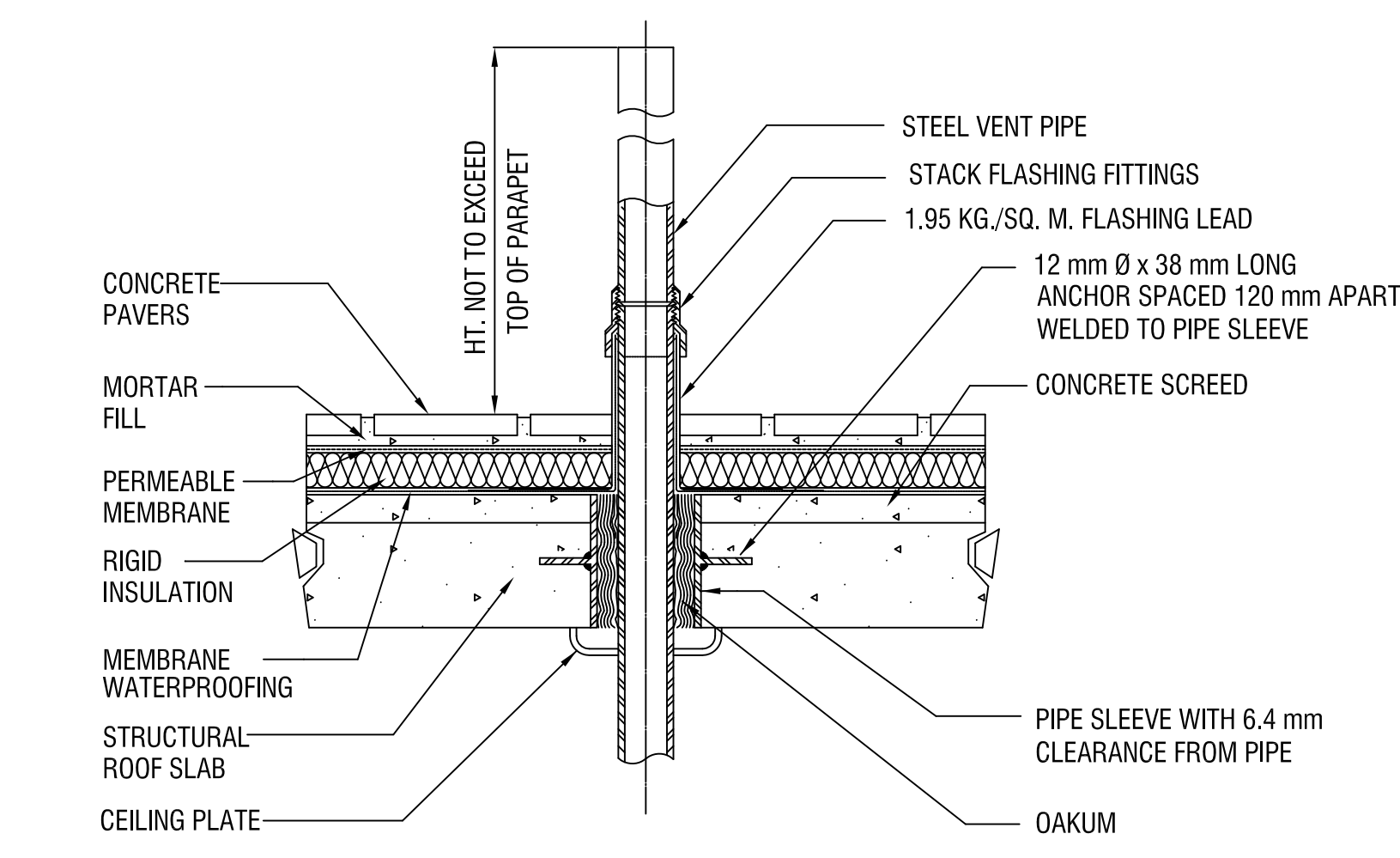


6 PARKING DRAIN DETAIL
G-P002 N.T.S.

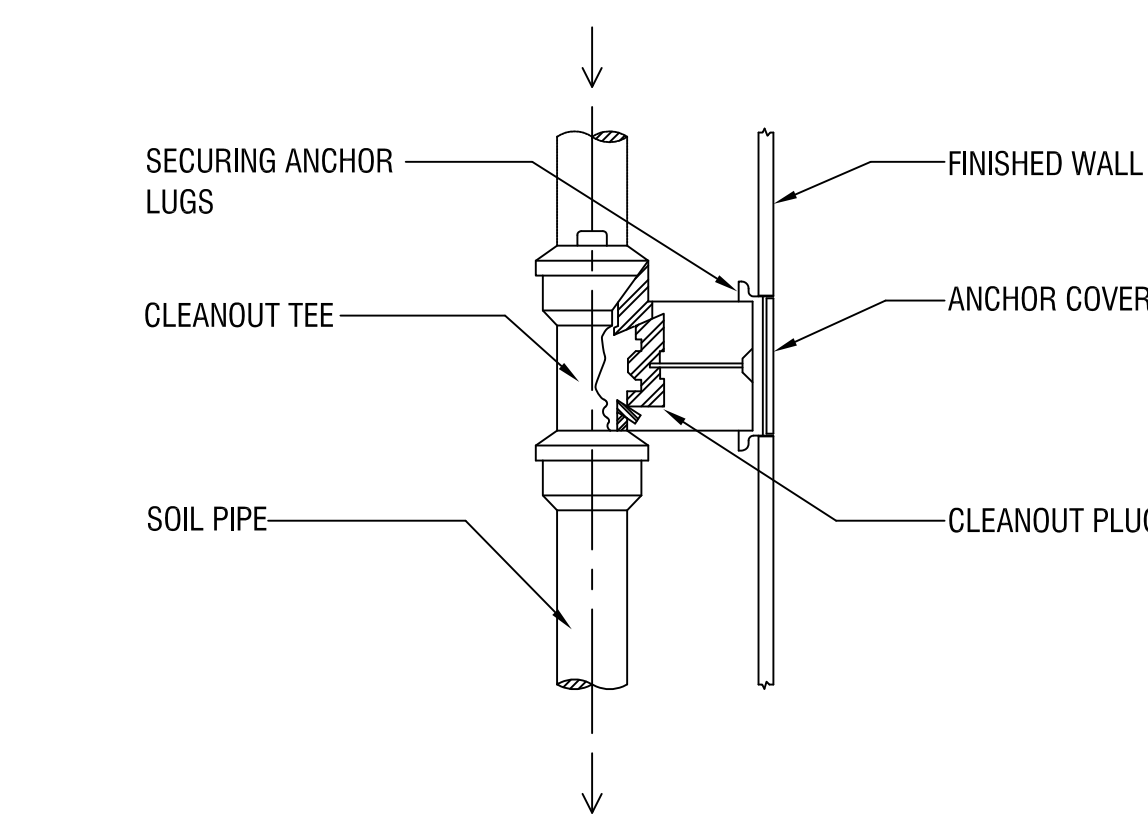


NOTE: STRUCTURAL REINFORCEMENT TO BE CHECKED AS PER SITE CONDITIONS

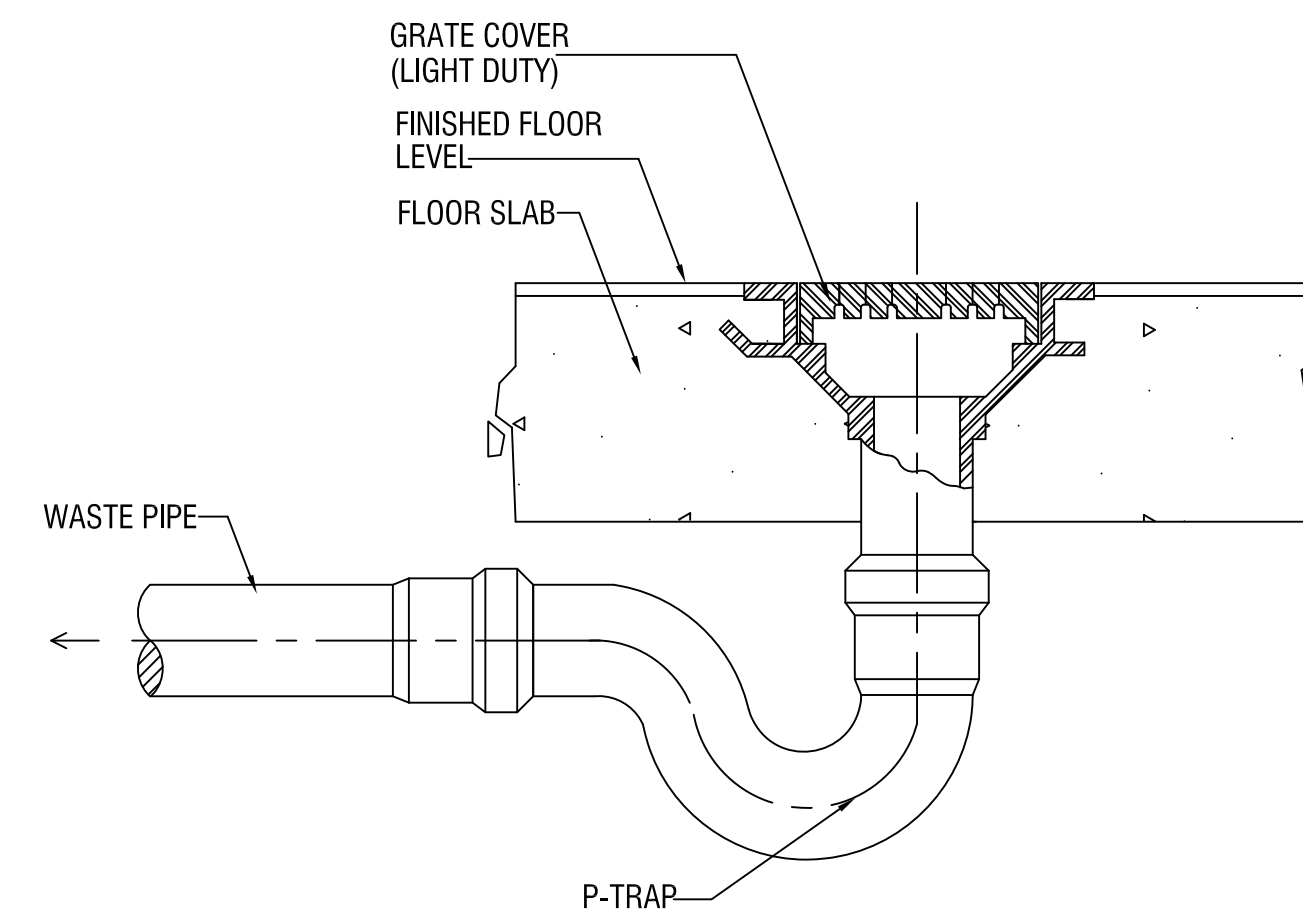
9 SERVICE MANHOLE DETAIL
G-P002 N.T.S.



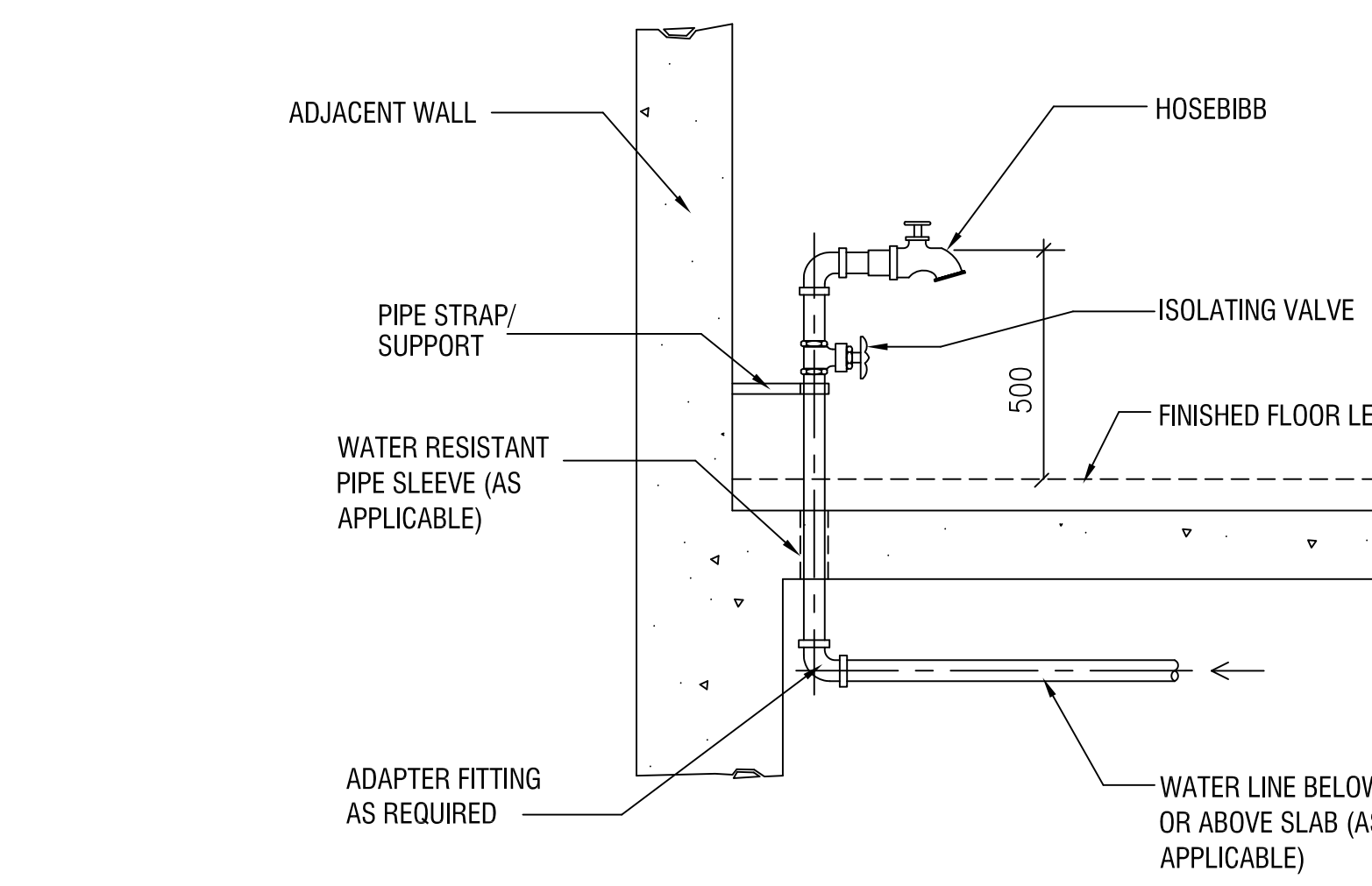
12 PIPE PENETRATION THRU ROOF DETAIL
G-P002 N.T.S.



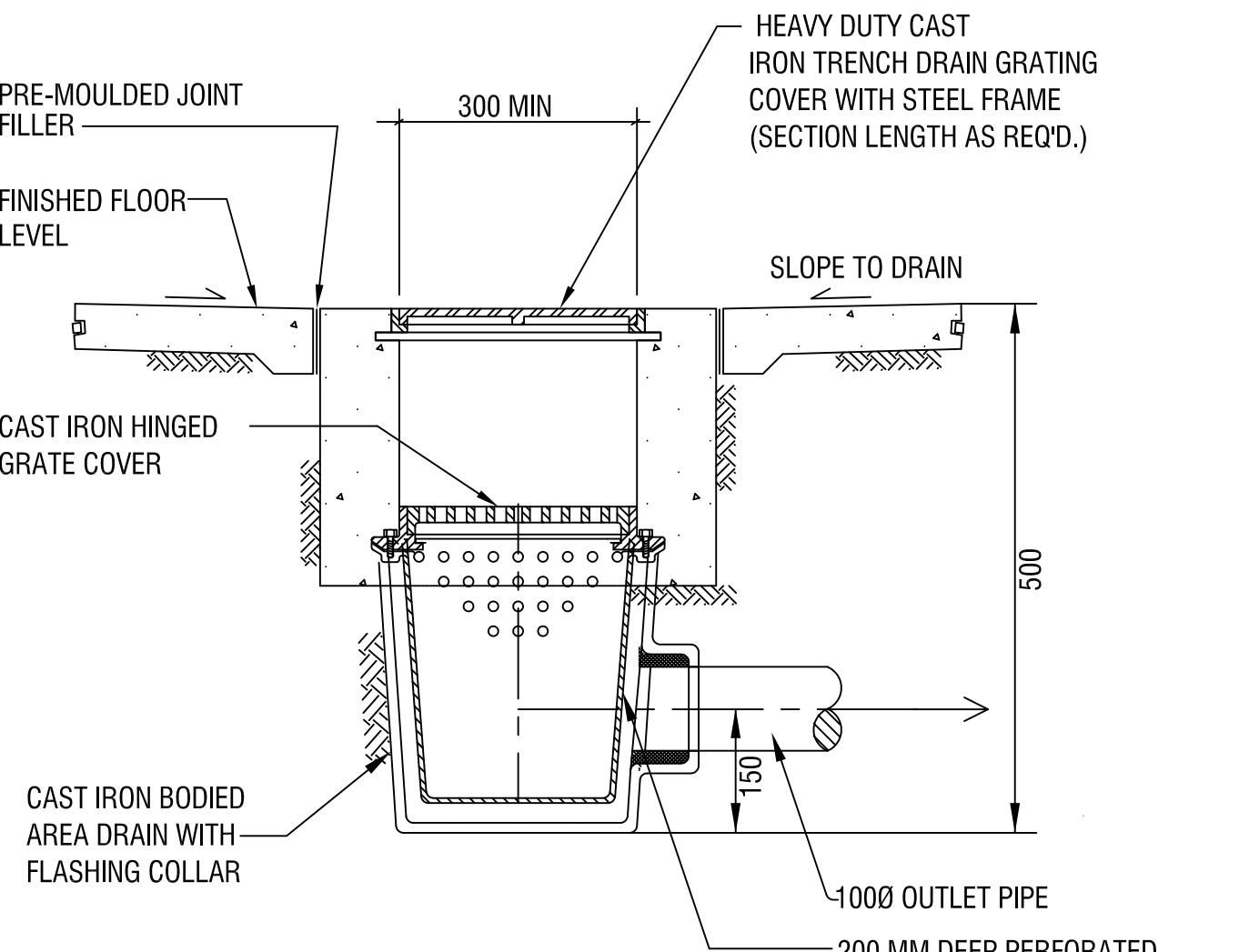
3 WALL CLEANOUT DETAIL
G-P002 N.T.S.



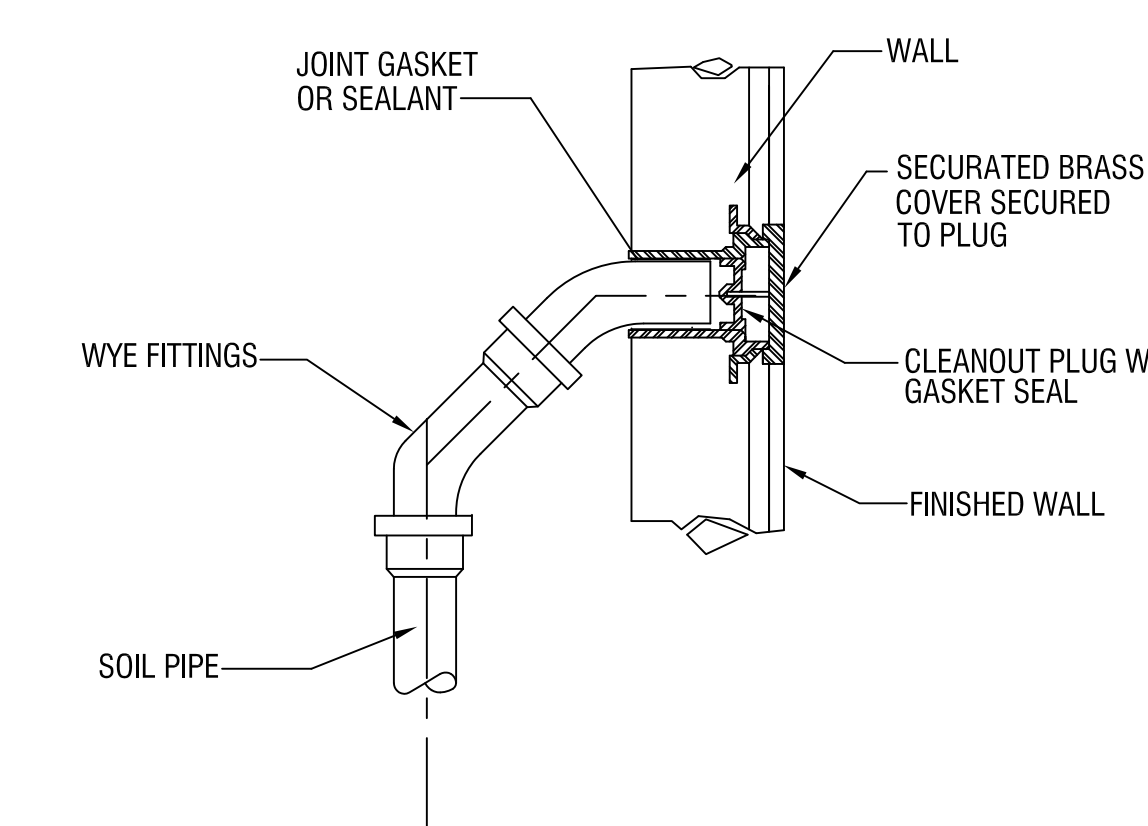
7 FLOOR DRAIN DETAIL
G-P002 N.T.S.



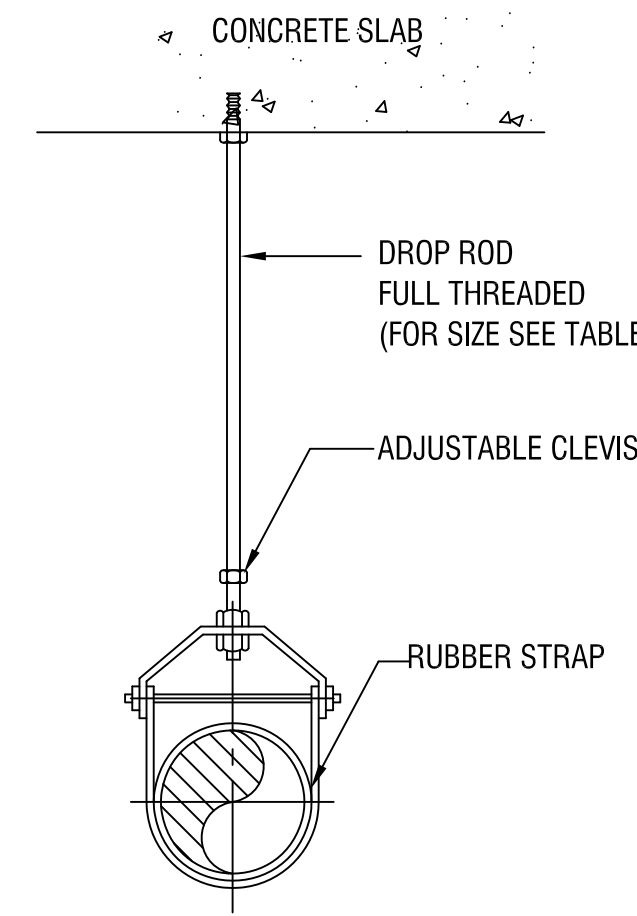
10 HOSEBIB INSTALLATION DETAIL
G-P002 N.T.S.



13 TRENCH DRAIN DETAIL
G-P002 N.T.S.

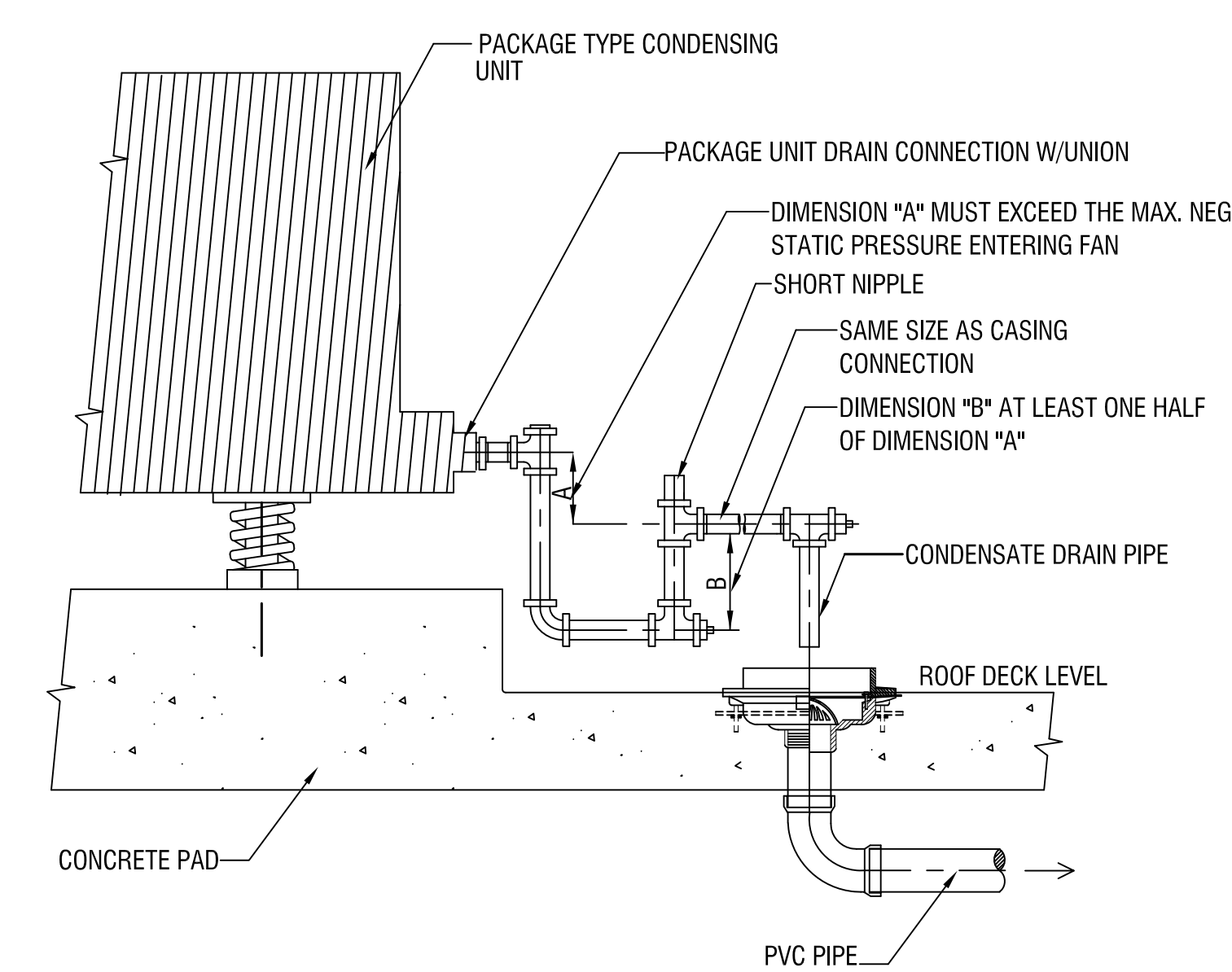


4 WALL CLEANOUT DETAIL
G-P002 N.T.S.

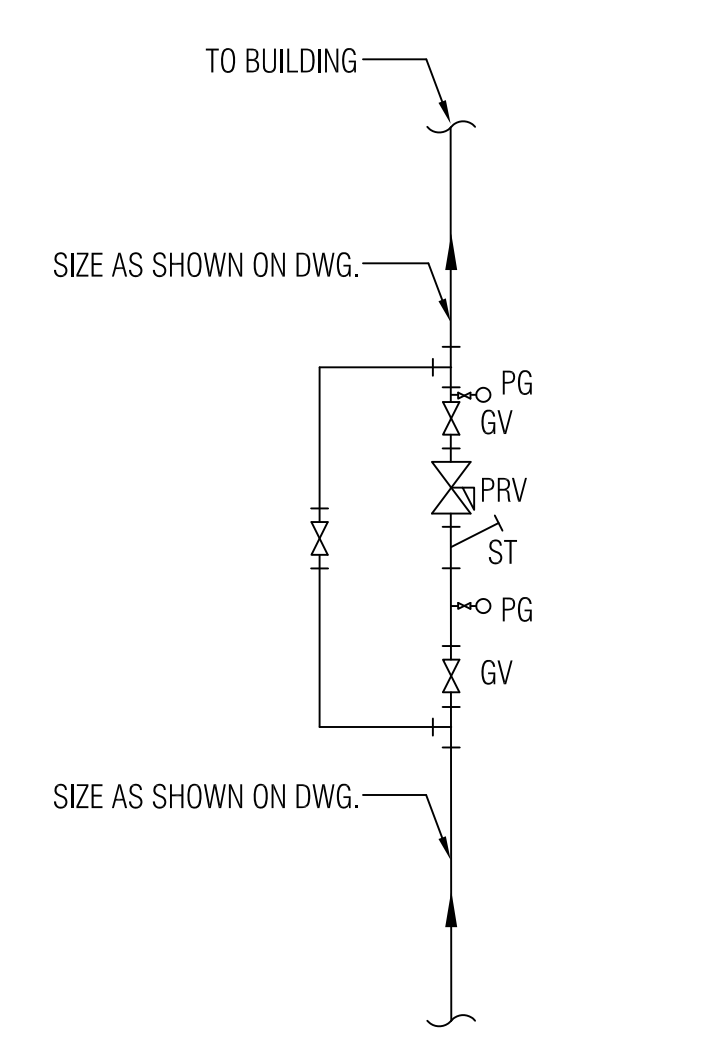


PIPE DIA. (mm.)	ROD DIA. (mm.)	MAX. SUPPORT SPACING (m)	
		STEEL PIPE (mm.)	PVC PIPE (mm.)
50 mm. AND SMALLER	10	2500	1500
63 mm. TO 90 mm.	13	3500	1500
100 mm. TO 127 mm.	16	4500	1500
150 mm. TO 200 mm.	19	5500	1500

8 PIPE HANGER DETAILS
G-P002 N.T.S.



14 TYP. AC-PACKAGE UNIT DRAIN
G-P002 N.T.S.



15 PRESSURE REDUCING VALVE STATION
G-P002 N.T.S.